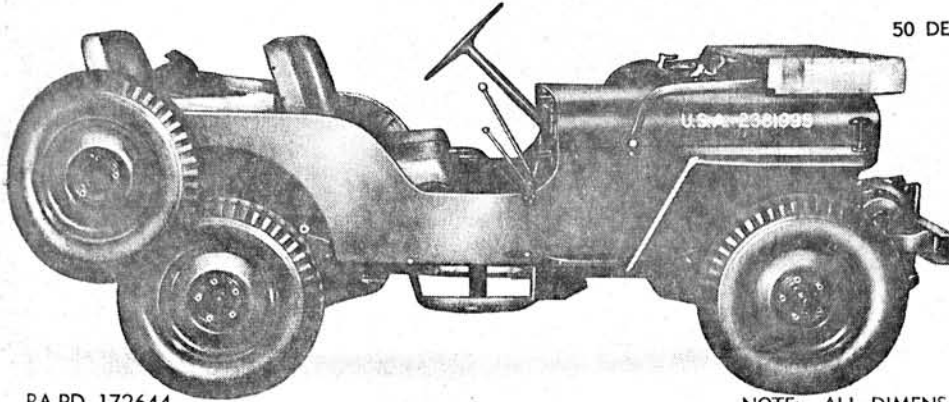
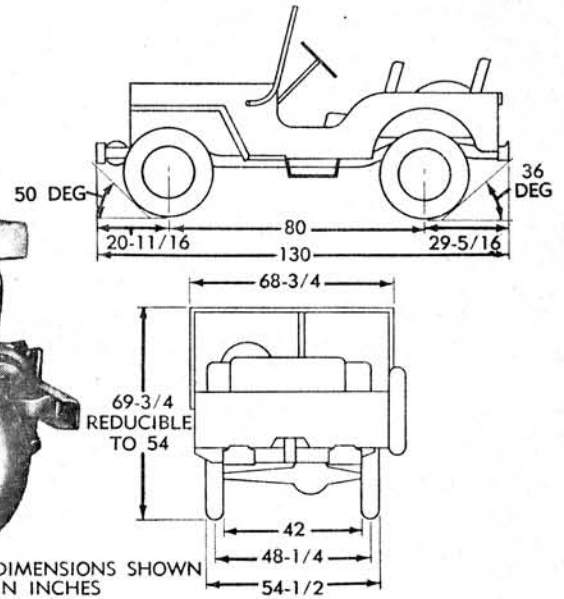


TRUCK, UTILITY, 1/4-TON, 4 x 4, W/WINCH

(Willys, Model CJ-3A)



RA PD 172644



NOTE: ALL DIMENSIONS SHOWN ARE IN INCHES

Classification: Nonclassified.

Purpose: To transport command and reconnaissance personnel and light cargo.

GENERAL DATA

Crew	1; Passengers (including crew) 4
Weight (lb):	
Net	2,283
Payload	off highway 800; on highway 1,200
Gross	off highway 3,083; on highway 3,483
Live-axle gear ratio	5.38 : 1
Axle load (lb):	
Empty	front 1,305; rear 978
Loaded:	
Off highway	front 1,449; rear 1,634
On highway	front 1,521; rear 1,962
Tires:	
Ply 4	Size 6.00 x 16; Pressure (psi) front 26; rear 28
Tread, center-to-center, front	(in.) 48 1/4
Shipping dimensions, uncrated	(cu ft) 276; (sq ft) 61 1/2
Vehicle dimensions:	
Ground clearance	(in.) 8
Pintle height, empty	(in.) 20 3/4
Electrical system	(volts) 6
No. of batteries	1
Type of ground	negative
Fuel octane rating	.68
Capacities:	
Fuel	(gal) 10 1/2
Cooling system	(qt) w/o heater 11; w/heater 12
Crankcase, refill	(qt) 4
Transmission	(qt) 1 1/2
Transfer	(qt) 1 3/4
Axles (each)	(qt) 1 1/4
Winch	Oil capacity (qt) 1/2; Load capacity (lb) 6,000
Brakes:	
Manufacturer: Bendix	Type; hydraulic
Parking brake, type	transfer
Transmission:	
Forward speeds	3
Gear ratio	High 1:1; Low 2.80:1
Transfer:	
Speeds	2
Gear ratio	High 1:1; Low 2.43:1

PERFORMANCE

Computed grade ability in lowest gear, loaded	(percent) 76
Turning radius	(ft) 18
Fuel consumption, loaded	(mpg) 17
Cruising range, loaded	(mi) 178
Allowable speed, governed	(mph) 60
Maximum recommended towed load:	
Off highway, gross	(lb) 1,000
On highway, gross	(lb) 2,000

ENGINE

Manufacturer: Willys	CJ-3A
Type	L-head, 4 cycle; No. of cylinders (in line) 4
Displacement	(cu in.) 134.2
Bore	(in.) 3 1/4
Stroke	(in.) 4 3/4
Compression ratio	6.48:1
Governed speed	(rpm) 3,700
Brake horsepower (max w/std accessories)	51 at (rpm) 4,000
Torque (max)	105 lb-ft at (rpm) 2,000

ADDITIONAL DATA

Live axles, type	hypoid, full-floating
Transmission, type	synchromesh