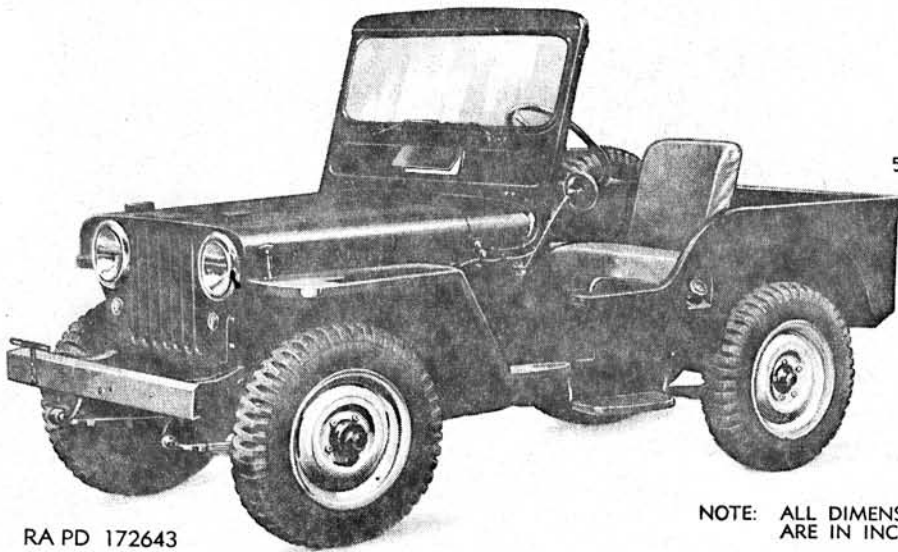
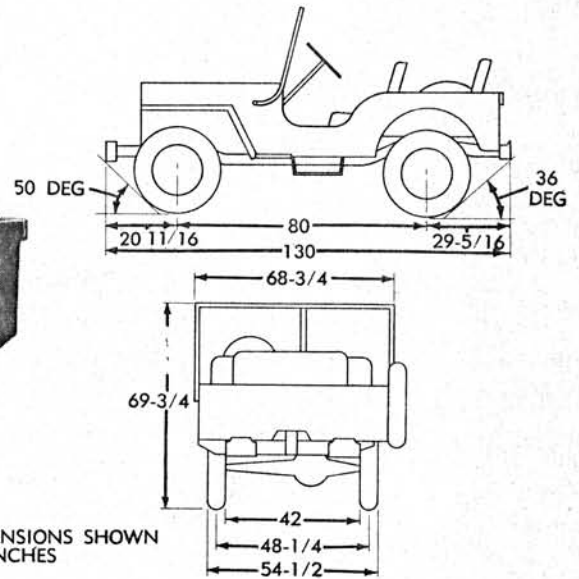


# TRUCK, UTILITY, 1/4-TON, 4 x 4 AND TRUCK, CARGO, 1/4-TON, 4 x 4

## (Willys, Model CJ-3A)



RA PD 172643



NOTE: ALL DIMENSIONS SHOWN ARE IN INCHES

**Classification:** Nonclassified.

**Purpose:** To transport command and reconnaissance personnel and light cargo.

### GENERAL DATA

**Crew**.....1; Passengers (including crew) 4  
**Weight (lb):**  
 Net.....2,203  
 Payload.....off highway 800; on highway 1,200  
 Gross.....off highway 3,003; on highway 3,403  
**Live-axle gear ratio**.....5.38:1  
**Axle load (lb):**  
 Empty.....front 1,215; rear 988  
 Loaded:  
 Off highway.....front 1,359; rear 1,644  
 On highway.....front 1,431; rear 1,972  
**Tires:**  
 Ply 4.....Size 6.00 x 16; Pressure (psi) front 26; rear 28  
 Tread, center-to-center, front.....(in.) 48 3/4  
**Shipping dimensions, uncrated**.....(cu ft) 276; (sq ft) 61 1/2  
**Vehicle dimensions:**  
 Ground clearance.....(in.) 8 3/4  
 Pintle height, empty.....(in.) 20 3/4  
**Electrical system**.....(volts) 6  
 No. of batteries.....1  
 Type of ground.....negative  
**Fuel octane rating**.....68  
**Capacities:**  
 Fuel.....(gal) 10 1/2  
 Cooling system (qt).....w/o heater 11; w/heater 12  
 Crankcase, refill.....(qt) 4  
 Transmission, each.....(qt) 1 1/2  
 Transfer.....(qt) 1 3/4  
 Axles (each).....(qt) 1 1/4  
**Brakes:**  
 Manufacturer; Bendix.....Type; hydraulic  
 Parking brake, type.....transfer  
**Transmission:**  
 Forward speeds.....3  
 Gear ratio.....High 1:1; Low 2.80:1  
**Transfer:**  
 Speeds.....2  
 Gear ratio.....High 1:1; Low 2.43:1

### PERFORMANCE

**Computed grade ability in lowest gear, loaded**.....(percent) 76  
**Turning radius**.....(ft) 18  
**Fuel consumption, loaded**.....(mpg) 17  
**Cruising range, loaded**.....(mi) 178  
**Allowable speed, recommended**.....(mph) 60  
**Maximum recommended towed load:**  
 Off highway, gross.....(lb) 1,000  
 On highway, gross.....(lb) 2,000

### ENGINE

**Manufacturer:** Willys.....CJ-3A  
**Type**.....L-head, 4-cycle; No. of cylinders (in line) 4  
**Displacement**.....(cu in.) 134.2  
**Bore**.....(in.) 3 3/4  
**Stroke**.....(in.) 4 3/4  
**Compression ratio**.....6.48:1  
**Governed speed**.....not governed  
**Brake horsepower, (max w/std accessories)**.....54 at (rpm) 4,000  
**Torque (max)**.....105 lb-ft at (rpm) 2,000

### ADDITIONAL DATA

**Live axles, type**.....hypoid, full floating  
**Transmission**.....synchromesh