



Instrument dimmer switch installation

1. On the bottom lip of the dash, to the left of the steering column, you will find the old dimmer switch attached with 2 screws
2. Unscrew and lower the old dimmer switch
3. Elongate the two mounting holes on the bottom of the dash to match the new switch (will have to be wider)
4. Unplug the two yellow wires (one side) and the black/yellow (other side) from the old dimmer

Wiring diagram:

1. Red wire on new switch will go to the yellow for the input
 2. Yellow to black/yellow wire output wire
 3. Black to grounded to dash or to existing ground
 4. I would suggest using female bullet connectors on the new switch side and simply plug in the wiring from the Jeep, make sure the connections are fully insulated and no exposed bare wire which could short out.
5. Use small screw driver to remove the knob and install dimmer with included hardware
 6. Re-install the knob and test.

Questions?

Call us Toll Free at:

1-888-648-4923

(Mon-Fri, 9AM-5PM, EST) or

email Mike Meditz at:

mike@kaiserwillys.com

Questions?

Call us Toll Free at:

1-888-648-4923

(Mon-Fri, 9AM-5PM, EST) or
email Mike Meditz at:

mike@kaiserwillys.com

LED Dimmer Module

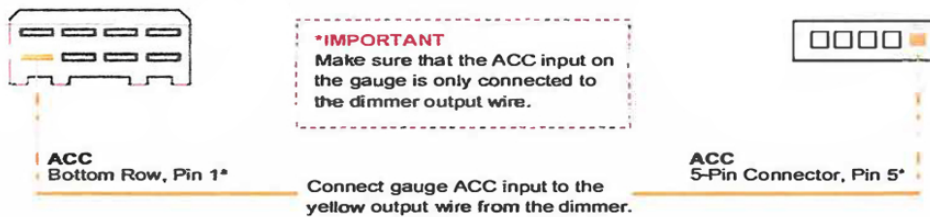
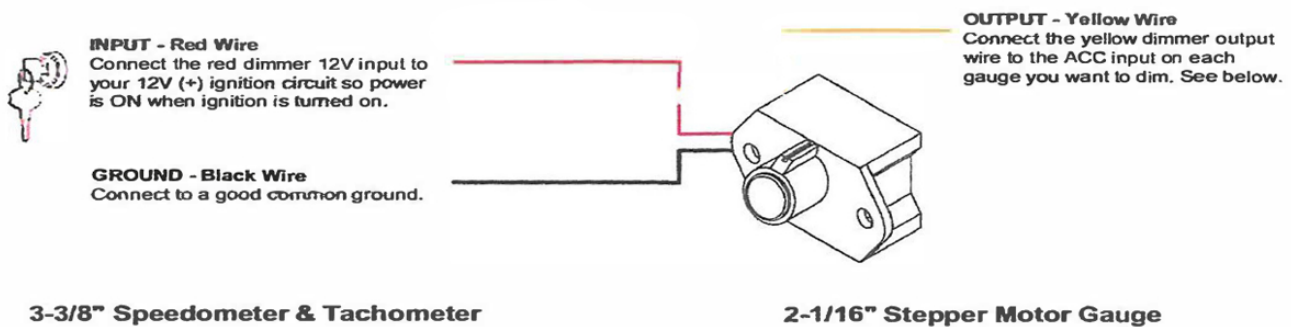
Application

This compact dimmer module is designed to allow for isolated dimming for Marshall stepper motor gauges separate from your vehicle's OEM dash. This dimmer module will dim up to 7 Marshall gauges. **NOTE: The dimmer module has an internal fuse. If the fuse blows, all you need to do is turn the power off for 30 seconds and the fuse will reset.**

Before You Start

- ALWAYS WEAR SAFETY GLASSES.
- Turn ignition off and disconnect negative (-) battery cable before installing.
- Make sure all necessary tools, materials, and parts are on hand.
- Check behind the mounting location for any wiring or components before drilling.

Fig 1. Wiring Diagram



Table

1. Wiring Summary

Wire Color/Description	Purpose	Notes
RED	Input	Connect the dimmer input wire to a 12V+ Ignition (ACC).
BLACK	Ground	Connect to a good common Ground.
YELLOW	Output	Connect dimmer output to the 12V+ ACC Connection on each gauge you want to dim.

Dimmer Installation

- Remove knob, nut and flat washer from dimmer.
- Locate and drill a 1/4" hole in your panel. Remove any sharp edges.
- If desired, place decal centered on hole
- Install dimmer, flat washer, and nut. Use caution not to scratch decal when tightening nut!
- Turn the dimmer all the way to the left (counter clockwise)
- Position the knob so that the knob is pointing to the OFF position and tighten
- Connect wires as shown in Fig 1.

Wiring

- Connect the dimmer RED INPUT wire (the red wire with fuse holder) to your 12V ignition circuit.
- Connect the YELLOW OUTPUT wire to the 12V+ ACC input on the gauge you want to dim. **Make sure the dimmer output wire is the only wire connected to the gauge ACC connection.**
- Connect the BLACK dimmer wire to a good common ground.

Use 24 AWG stranded or heavier wire for installation. Secure wires firmly along their route.